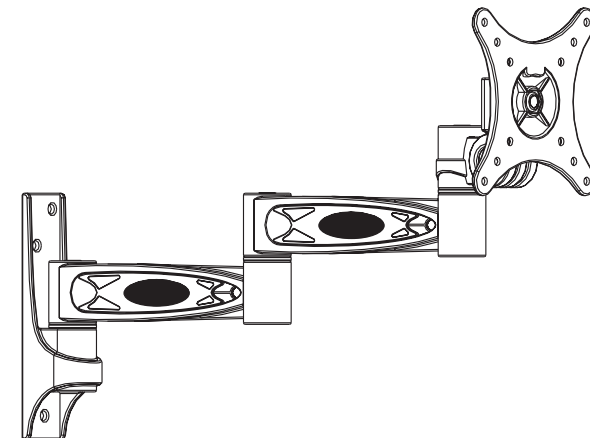

MAJESTIC®

Cantilever Bracket

INSTALLATION GUIDE

Item No.:ARM2502

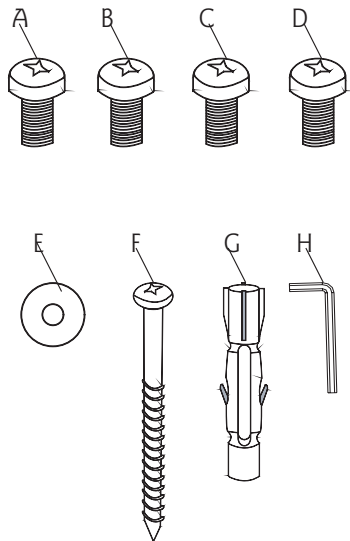
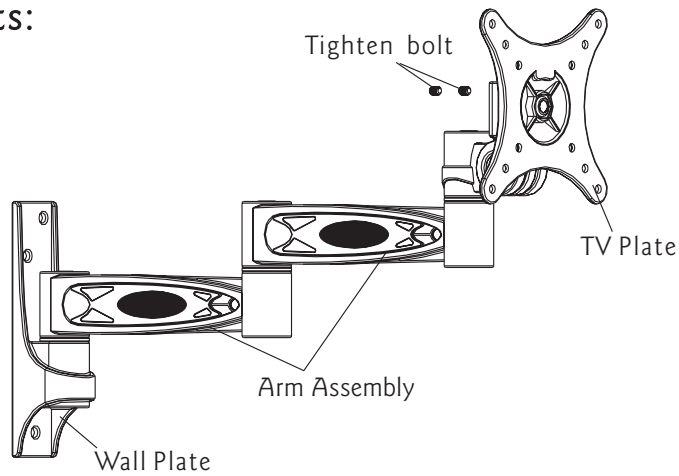


Thank you for choosing our products

- TV Size Range: 10" ~24"
- Max load capacity: 15Kg/33lbs
- Easy to install: sliding plate operation
- Integrated Cable management
- Angle Adjustable

Important: If don't understand about right install ways, please consult to normal installing specialist.

Parts:



Hardware List:

ID	Qty	Description
A	4	M4x8mm bolt
B	4	M4x12mm bolt
C	4	M5x8mm bolt
D	4	M5x12mm bolt
E	4	M5 Washer
F	3	Lag Bolt
G	3	Wall Anchor
H	4	Her Wrench: Tiny diameter Small diameter Medium diameter Large diameter

Display Adjustments

Roll Control

Function - Horizontal leveling of the display.

Operation - Grasp the sides of the display, and roll it into the desired position. Then adjusting Roll Tension .

Angle adjusting

1. Adjusted with the TV plate .

With circumsolve the wall Plate ,TV can adjust in the direction of left, right ,up and down. Vertical Adjusting Angle is from -5° to 20° . level Adjusting Angle is 20° .

Use Large diameter wrench to adjust the degree of tightness of bolt on the head of arm.

2. Adjusted with the arms.

With circumsolve the arms, TV can turning to two sides of wall until touch the wall. First joint adjusting angle is $\pm 90^{\circ}$, second is $\pm 180^{\circ}$, third is $\pm 90^{\circ}$.

Caution: The turning angle is not too large. Or it may result in personal injury or product damage.

Use Medium diameter wrench to adjust the degree of tightness of three joints.

Has correctional function: If the wall plate were installed imbalance, you can adjust the TV plate to lever off the assembly. Adjust angle is 10° .

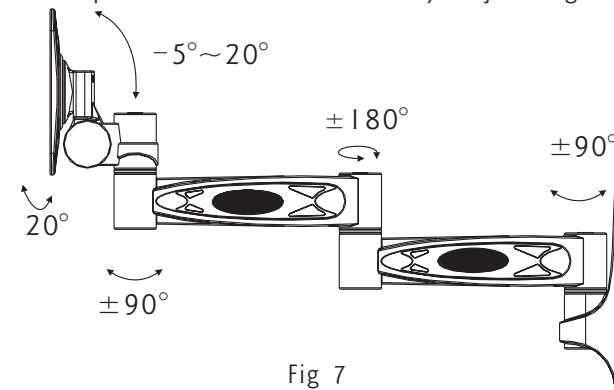


Fig 7

Step 5 Using Cable Management

The mount include a cable management function, where cables can be routed along the length of the arm assembly. To install cables, you'll first need to remove the cable covers and set all parts aside.

Route the cables along one side of the Inner Arm (nearest the wall plate).

With cables in place, loosely secure the Inner Arm cable covers back in place.

Next, route the cables along the opposite side of the Outer Arm. Be sure to leave slack in the cable where it transitions between two sides of the Arm Assembly. With cables in position, loosely secure the Outer Arm cable covers back in place.

Note: For best system performance, route the AC power cable separately from the signal cables.

With all cables in place, pull the display in and out and check that the arm assembly moves freely, without stretching or damaging the cables, and then secure the cable covers.

Important: DO NOT use a hex wrench on the cable covers, only apply pressure with your finger.

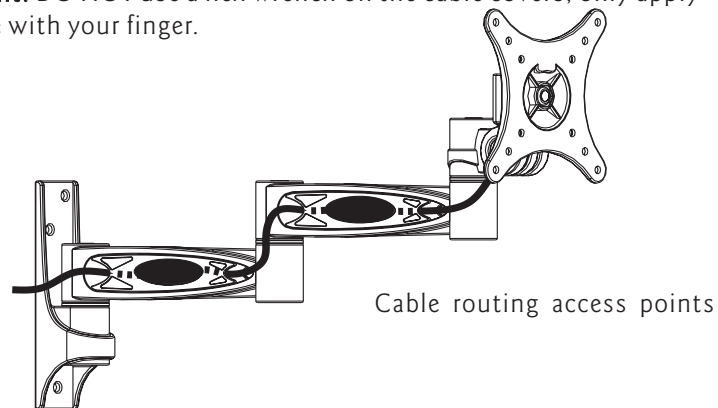


Fig 6

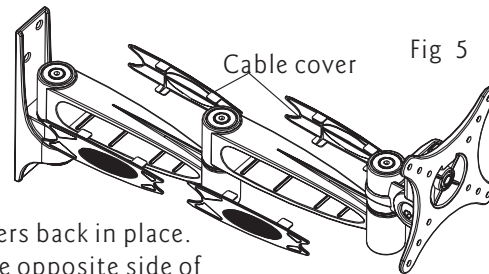


Fig 5

Step 1 Choose fitting position on the wall.

Make sure the position that the wall plate you want installed.

Important: Make sure there is enough space to spread LCD, considering the show size.

Step 2 Installing wall mount

This product offers two installing ways: wooden wall and cement wall. Determine your mounting type and proceed accordingly.

Installing ways of batten wall

Use an electronic detector in lay position to detect the position of batten, then making a mark. Put the wall mount in the installing position flatly, using it as template, lining out holes in the batten. Using a aiguille of dia.3mm to drill three 50mm deep holes. Securely mount the wall plate with supplied Long bolts(F). As shown in Fig 1.

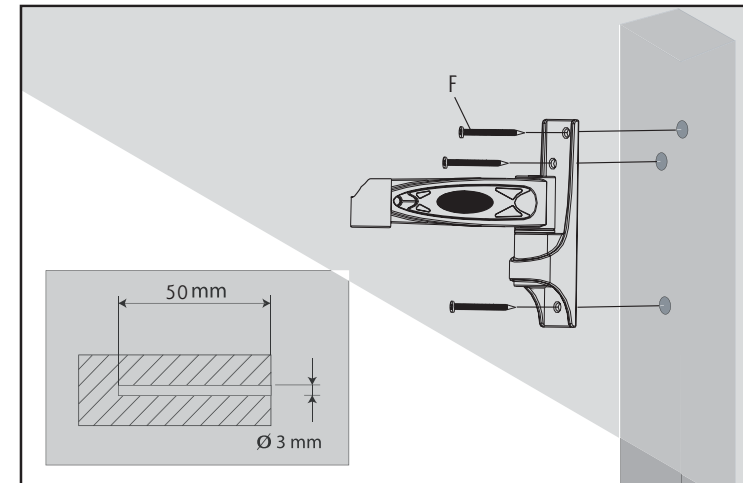


Fig 1

Installing ways of cement and beton wall

Put the wall mount flatly in the installing position, using it as template, lining out the hole on the wall. Use a augille of dia. 10.5mm to drill three 60mm deep holes. Insert the wall anchor (G) into the mounting holes, and lightly tap them flush to the wall with a hammer. Securely mount the wall plate with supplied Long bolts (F). As shown in Fig2.

Carefully: Wall anchor is just fit for cement and beton wall. Don't use wall anchor in drywall to install bracket.

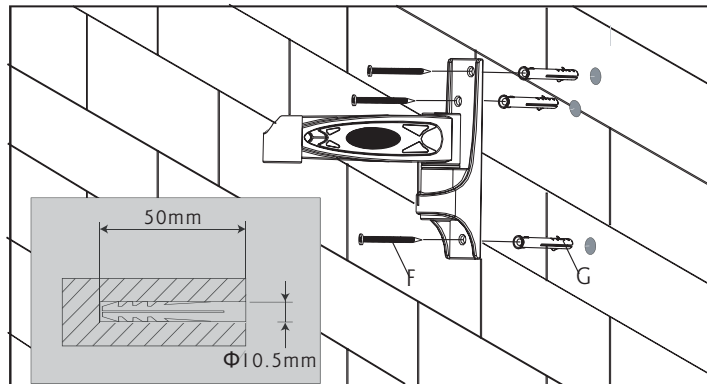


Fig 2

We are not responsible for any personal injury or product damage due to mishandling, incorrect mounting, incorrect assembly or incorrect use of this product.



Note: The supplied wall mounting hardware is not for use on steel stud walls or cold cinder block walls. If you are uncertain about the nature of your wall, please consult a qualified contractor. If the hardware you required is not included please contact your local hardware store.

Step3 Installing the LCD

According LCD hole's size, deep, position to choose bolts. Using chose bolts (A-D) and washers (E) to install the LCD on the panel. As shown in Fig3.

Carefully: Don't force the bolt to LCD hole, avoiding damage to people and instrument. Don't use electronics drill to fasten screw

Caution : This Product LCD /Plasma Wall Mount Bracket is intended for use only with the maximum weights indicated .See apparatus instructions .Use with products heavier than the maximum weights indicated instability causing possible injury .

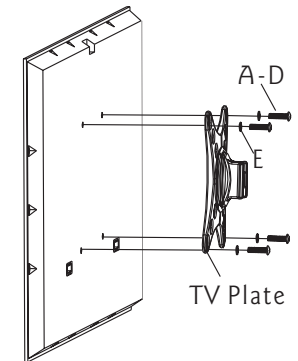


Fig 3

Step4 Hang the display

Firstly lift up the TV plate installed the LCD, making the trough on the arm fit to the trough on it ,according trough to embed the TV plate into the wall plate.

Then use the Small diameter wrench to screw the Tighten bolt and tighten it . as shown in Fig4.

Warning: Some TV require two people to lift, as we are not responsible for any personal injury or product damage due to mishandling.

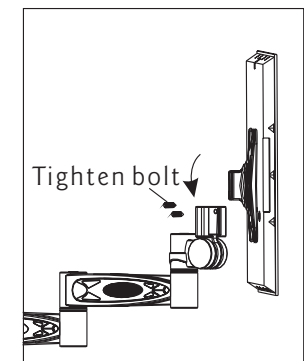


Fig 4